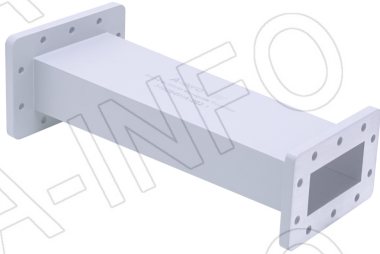


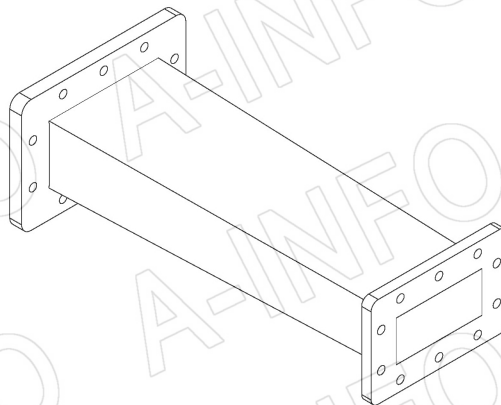
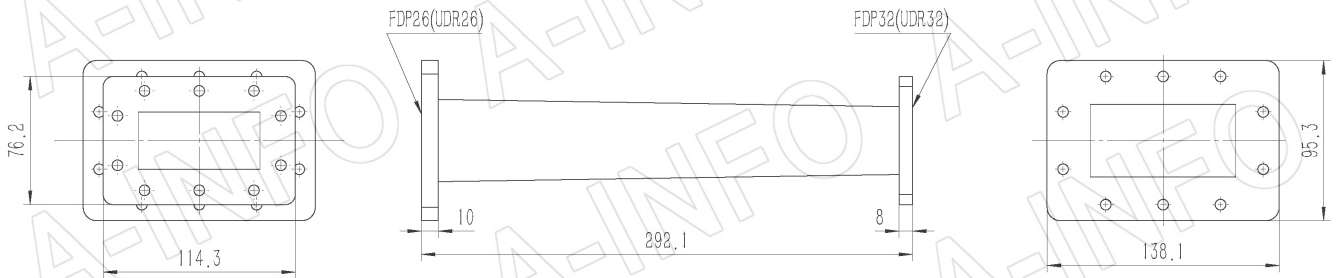
For reference only. See data sheet for the detailed specifications.

## Technical Specification

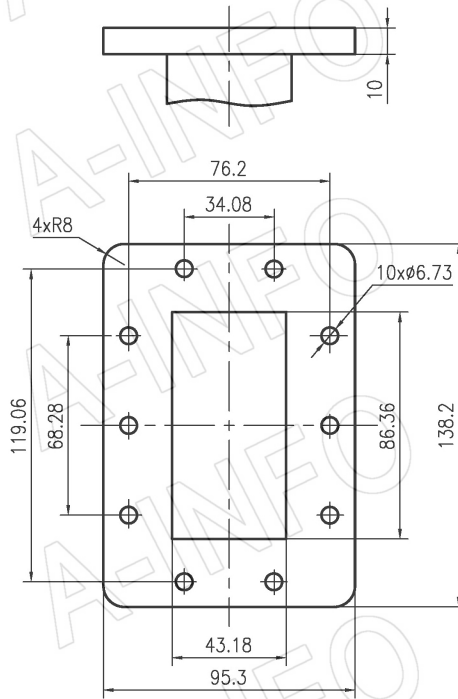


EIA WR to WR	WR340 to WR284
Frequency Range(GHz)	2.60 – 3.30
Length(mm/inch)	292.1/11.5
Insertion Loss(dB)	0.1 Max.
VSWR	1.05:1 Max.
WR340 Flange	FDP26(UDR26)
WR284 Flange	FDP32(UDR32)
Material	Al
Finish	Chemical Conversion Coating, Gray Paint
Size(mm)	292.1 x 138.1 x 95.3
Net Weight(Kg)	0.93 Around

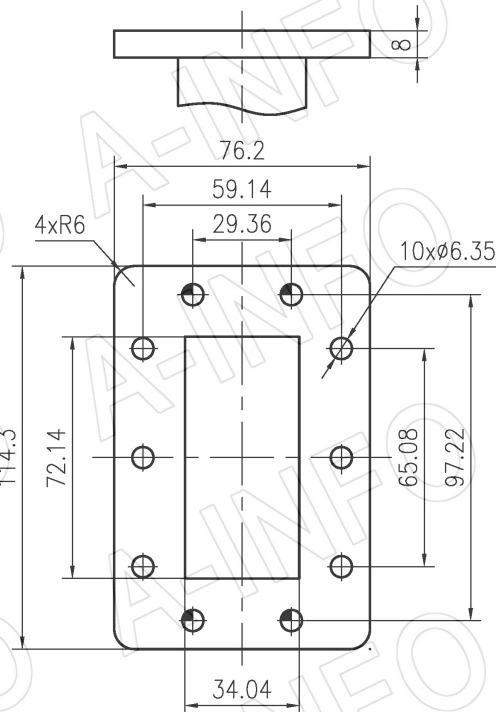
## Outline Drawing (Size: mm)



## Outline Drawing (Size: mm)



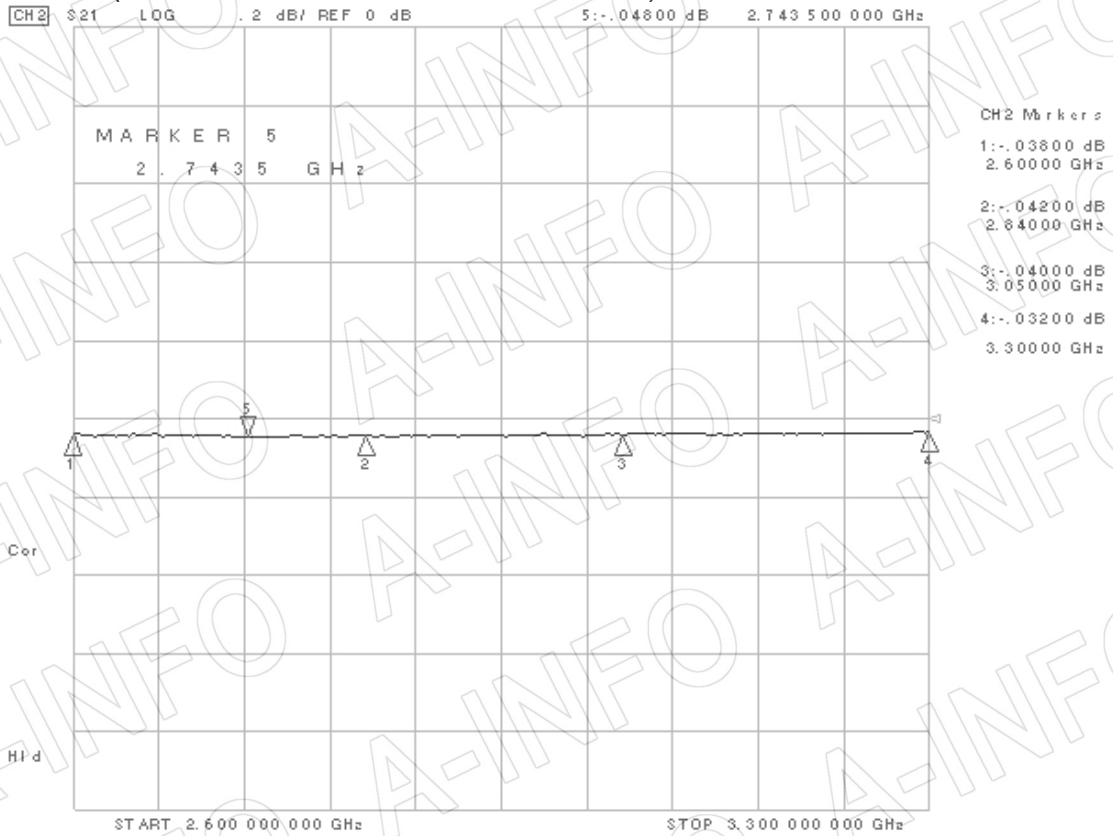
FDP26



FDP32

## Test Results

Insertion Loss (Test with two transitions back to back)



## VSWR

